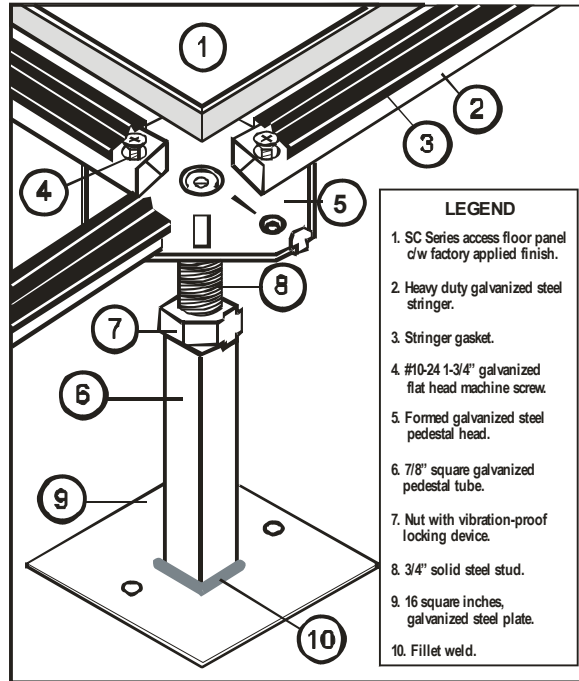


**SC2000 Access Floor System**



**PANELS**

**SC2000/CR COMPUTER ROOM PANEL:**

The combination of heavy duty cementitious treated composite fiber core strength and galvanized steel outer sheets have made this a superior and flexible panel to meet every building requirement.

The SC2000 CR panel combines a die cut galvanized steel top sheet and die cut formed bottom pan that are structurally bonded to the heavy duty cementitious treated composite fiber core with thermo setting adhesives. The surface covering is typically a high pressure laminate, or reinforced vinyl. All panels employ a mechanically locked trim. A positive plenum seal is created by identical panel squareness and a conductive vinyl stringer gasket.

PANEL TYPE	2000/CR IMPERIAL	2000/CR METRIC
Concentrated Load*	2000 lbs.	8.8 kN
Uniform Load**	500 lbs.	226 kg.
Rolling Load ***	1500 lbs.	680 kg.
Minimum Ultimate Load*	3500 lbs.	1587 kg.
Size	24" x 24"	600 mm x 600 mm
Finished Floor Heights	3" to 60"	75 mm to 1500 mm
Understructure	Bolted Stringer	Bolted Stringer
Floor Finishes	High pressure Laminate Conductive Vinyl	High pressure Laminate Conductive Vinyl

\* Measured on 1 sq.in. or 25 mm2.

\*\*Measured on 1 sq.ft. or 30 cm x 30 cm area.

\*\*\* 3" diameter (76mm) x 1 13/16" wide (46mm) wheel.