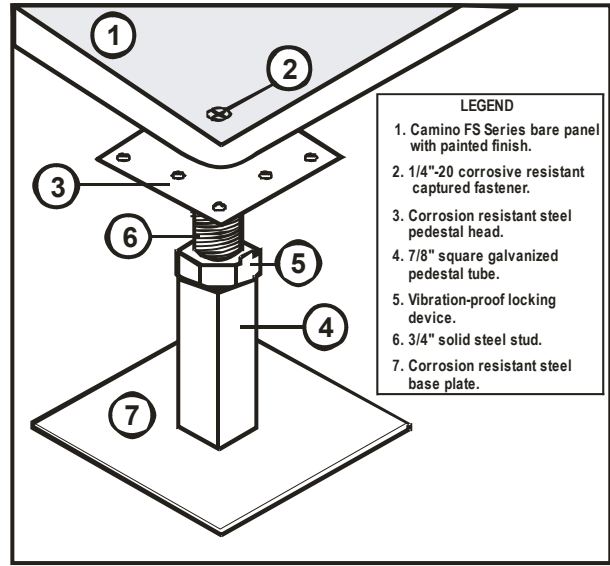
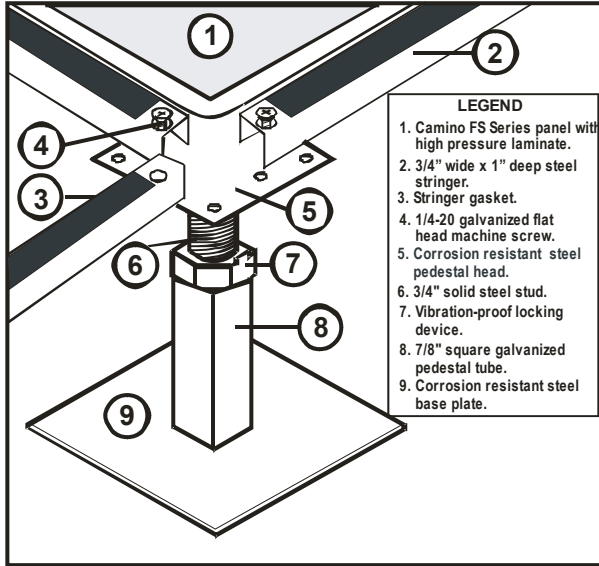


FS 1500 Series Access Floor System



PANELS

FS1500/CR COMPUTER ROOM PANEL:

The combination of cementitious core strength and welded steel outer sheets have made this a superior and flexible panel to meet every building requirement.

The FS 1500/CR panel combines a die cut steel top sheet and die cut formed bottom pan that are structurally welded and injected with foamed cement. The surface covering is typically a high pressure laminate, or reinforced vinyl.

FS1500/GO GENERAL OFFICE PANEL:

The combination of a cementitious core and welded steel outer sheets provide superior strength and acoustics over hollow steel access floor systems.

The surface preparation is typically bare, installed on stringerless understructure with corner bolted panels.

PANEL TYPE	1500/CR IMPERIAL	1500/CR METRIC	1500/GO IMPERIAL	1500/GO METRIC
Concentrated Load*	1500 lbs.	6.6 kN	1500 lbs.	6.6 kN
Uniform Load**	450 lbs.	23.11 kN/m2	450 lbs.	23.11 kN/m2
Rolling Load ***	1250/1000 lbs.	5.6/4.4 kN	1250/1000 lbs.	5.6/4.4 kN
Ultimate Load*	5000 lbs.	22.2 kN	5000 lbs.	22.2 kN
Size	24" x 24"	600 mm x 600 mm	24" x 24"	600 mm x 600 mm
Finished Floor Heights	3" to 60"	75 mm to 1500 mm	2 1/2" to 24"	62 mm to 600 mm
Understructure	Bolted Stringer	Bolted Stringer	Cornerlock	Cornerlock
Floor Finishes	High pressure Laminate Conductive Vinyl	High pressure Laminate Conductive Vinyl	Free lay carpet tile Factory bonded carpet	Free lay carpet tile Factory bonded carpet

* Measured on 1 sq.in. or 25 mm at any point.
 **Measured on 1 sq.ft. or 30 cm x 30 cm area.
 *** 3" diameter (76mm) x 1 13/16" wide (46mm) wheel/6" x 2" wheel.
 CISCA Test Procedures

Camino Modular Systems Inc. reserves the right to alter design engineering or specifications without incurring obligation and without prior notice.