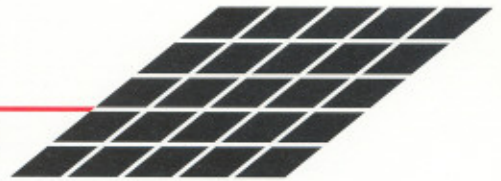


# SDR-120-4D

ELECTRICAL SERVICE CENTRE



## FEATURES

---

- Designed for four duplex receptacles.
- Mounting plates for data/telephone connectors.
- Re-inforced heavy duty steel lid complete with heel proof closer plate.
- Hinged lid is complete with carpet recess and is totally removable without tools.
- Extra grommetted side openings for future cable requirements.
- Integral modular connector option allows for plug and play use.
- Anti-tip feature ensures lid does not hinge open under accidental foot traffic.
- Internal barrier to accommodate more than one circuit.

**CAMINO** MODULAR SYSTEMS INC.

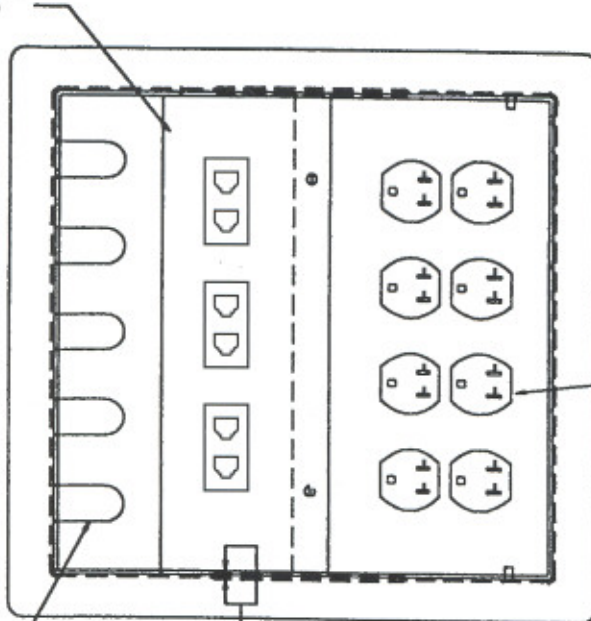
89 CARLINGVIEW DRIVE, TORONTO, ON M9W 5E4 TEL (416) 675-2400 FAX (416) 675-2424

NOTES:

1. STEEL COMPONENTS SPECIFICATIONS AS FOLLOWS:
  - A) MAIN ELECTRICAL BOX - 18 Ga. SATIN COAT
  - B) ELECTRICAL BOX - 16 Ga. SATIN COAT
  - C) COMM. & POWER PLATES - 22 Ga. SATIN COAT

2. PAINT FINISH: BLACK POWERCOAT

DATA PLATE C/W PUNCHOUTS  
(CONNECTORS BY OTHERS)



SERVICE CENTRE COVER  
PLATE WITH FIVE CABLE OPENINGS

SERVICE CENTRE COVER PLATE

POWER PLATE FOR FOUR  
DUPLEX RECEPTACLES

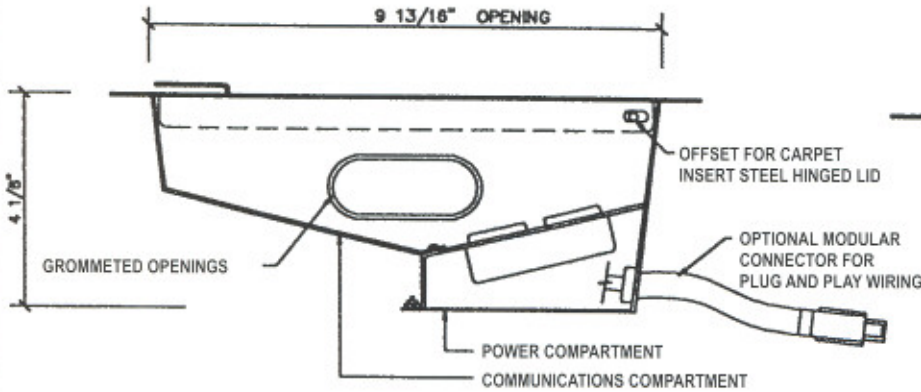
CUT OUT SIZE



9 13/16"

9 13/16"

**PLAN VIEW**



4 1/8"

GROMMETED OPENINGS

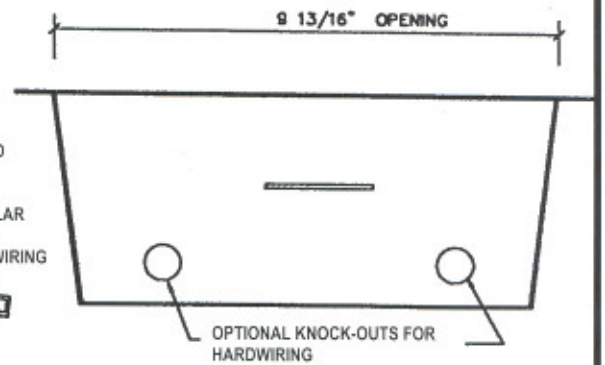
9 13/16" OPENING

OFFSET FOR CARPET  
INSERT STEEL HINGED LID

OPTIONAL MODULAR  
CONNECTOR FOR  
PLUG AND PLAY WIRING

POWER COMPARTMENT  
COMMUNICATIONS COMPARTMENT

**SIDE VIEW**



9 13/16" OPENING

OPTIONAL KNOCK-OUTS FOR  
HARDWIRING

**END VIEW**

**CAMINO MODULAR SYSTEMS INC.**

89 CARLINGVIEW DRIVE, ETOBICOKE, ONTARIO

TEL: 416-675-2400

FAX: 416-675-2424

SHEET TITLE

SDR - 1010 ELECTRICAL BOX

PROJECT No.

PROJECT:

DRAWING No.

ELB-4

SCALE:

N.T.S.

DATE:

04/00

DRAWN BY:

J.G.

CAD FILE NAME: