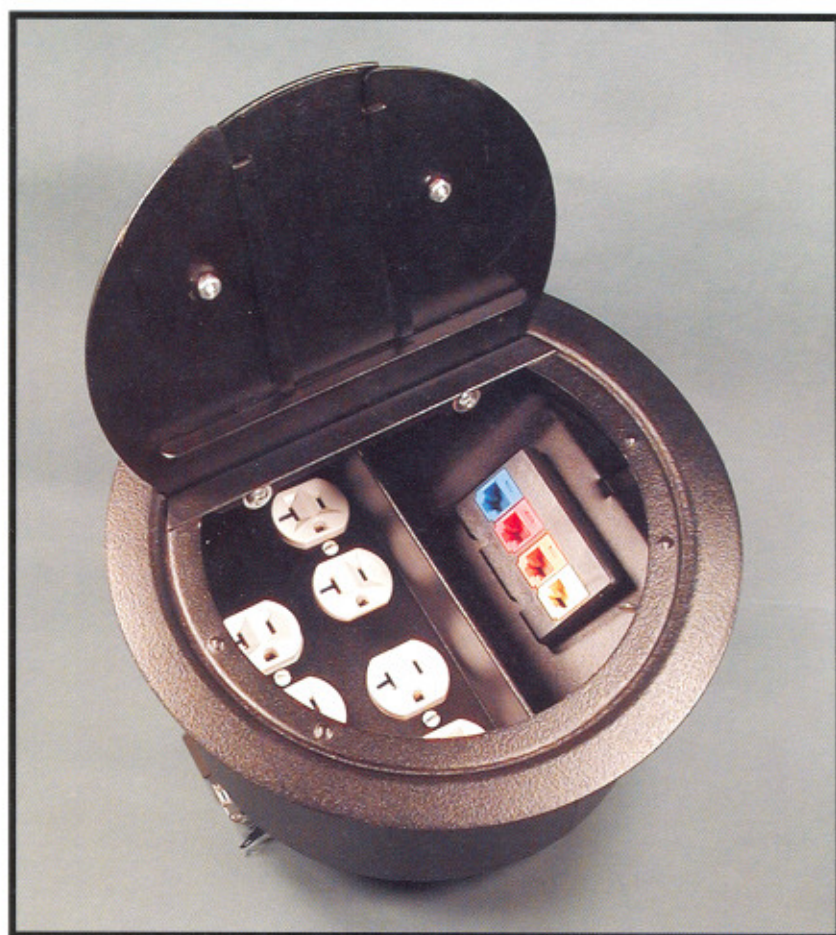


CHR-120-3D

ELECTRICAL SERVICE CENTRE



NEW!
DESIGNED FOR
UNDERFLOOR AIR
APPLICATIONS
PATENT PENDING

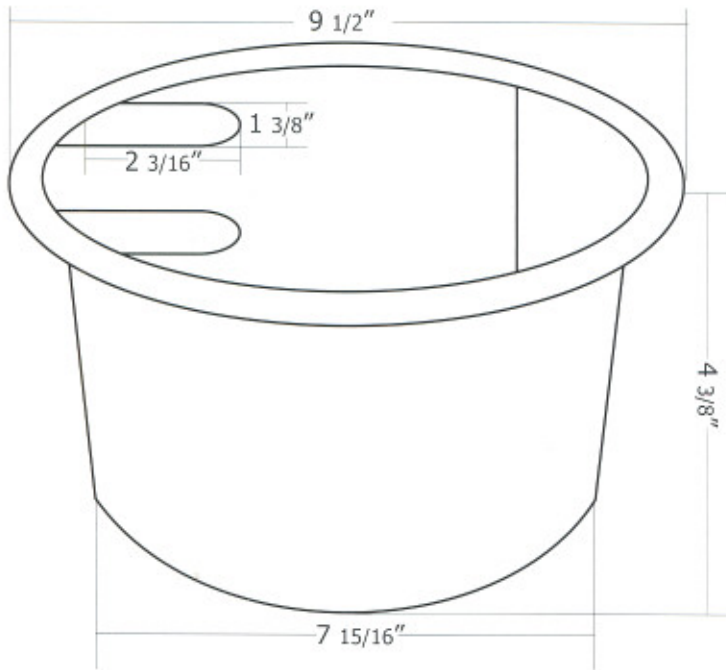
FEATURES

- Available with one, two or for three duplex receptacles.
- Mounting plates for voice/data connectors.
- Re-inforced heavy duty steel lid complete with foam gasketed cable openings.
- Designed to fit the same 8" diameter floor openings used for underfloor air diffusers.
- Body of box detaches from mounting ring enabling re-location without disconnecting cables (optional).
- Integral modular connector option allows for plug and play use.
- Available in various colours to match floor finishes.

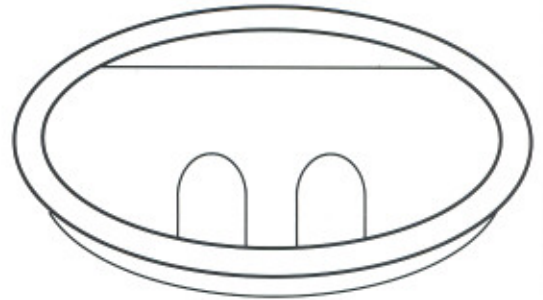
CAMINO MODULAR SYSTEMS INC.

89 CARLINGVIEW DRIVE, TORONTO, ONTARIO M9W 5E4 TEL: (416) 675-2400 FAX: (416) 674-2424

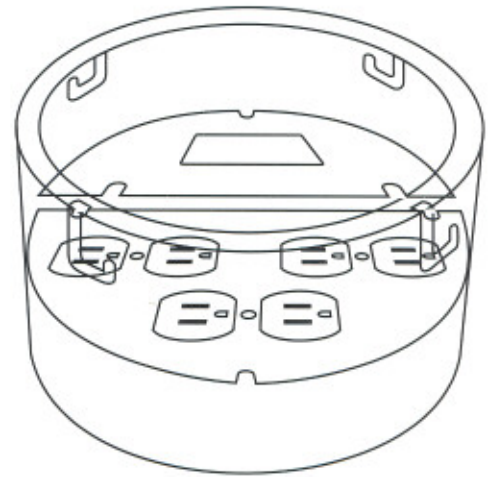
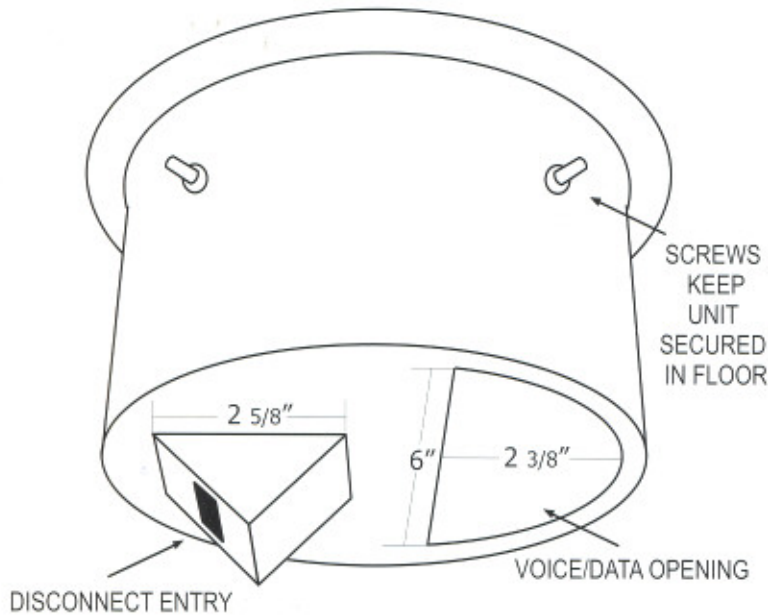
TOP VIEW



**OPTIONAL
DETACHABLE
TWO PIECE BOX**



BOTTOM VIEW



CAMINO MODULAR SYSTEMS INC.

89 CARLINGVIEW DRIVE, ETOBICOKE, ONTARIO

TEL: 416-675-2400

FAX: 416-675-2424

SHEET TITLE
ROUND ELECTRICAL BOX

PROJECT:

SCALE:
N.T.S.

DATE:
04/02

DRAWN BY:
J.G.

PROJECT No.

DRAWING No.

CAD FILE NAME:
ROUNDELECT3