

SDR-120-4D

ELECTRICAL SERVICE CENTRE



FEATURES

- Designed for four duplex receptacles.
- Mounting plates for data/telephone connectors.
- Re-inforced heavy duty steel lid complete with heel proof closer plate.
- Hinged lid is complete with carpet recess and is totally removable without tools.
- Extra grommetted side openings for future cable requirements.
- Integral modular connector option allows for plug and play use.
- Anti-tip feature ensures lid does not hinge open under accidental foot traffic.
- Internal barrier to accommodate more than one circuit.

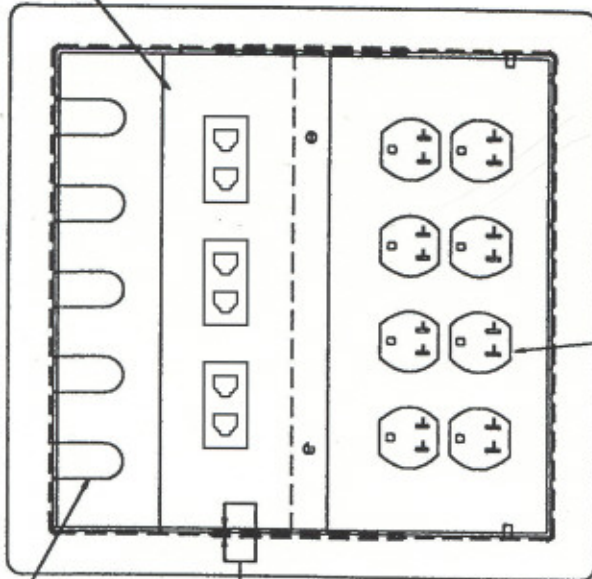
C A M I N O M O D U L A R S Y S T E M S I N C .

89 CARLINGVIEW DRIVE, TORONTO, ON M9W 5E4 TEL (416) 675-2400 FAX (416) 675-2424

NOTES:

1. STEEL COMPONENTS SPECIFICATIONS AS FOLLOWS:
 - A) MAIN ELECTRICAL BOX - 18 Ga. SATIN COAT
 - B) ELECTRICAL BOX - 16 Ga. SATIN COAT
 - C) COMM. & POWER PLATES - 22 Ga. SATIN COAT
2. PAINT FINISH: BLACK POWERCOAT

DATA PLATE C/W PUNCHOUTS
(CONNECTORS BY OTHERS)

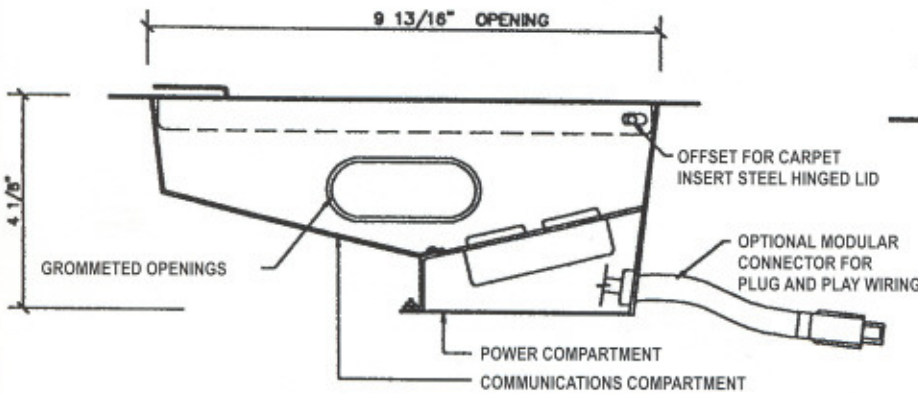
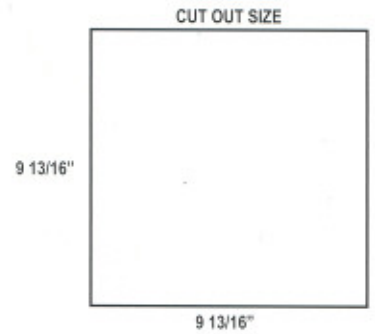


POWER PLATE FOR FOUR
DUPLEX RECEPTACLES

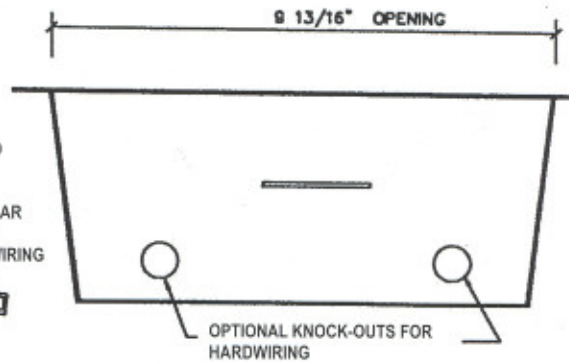
SERVICE CENTRE COVER
PLATE WITH FIVE CABLE OPENINGS

SERVICE CENTRE COVER PLATE

PLAN VIEW



SIDE VIEW



END VIEW

CAMINO MODULAR SYSTEMS INC.

89 CARLINGVIEW DRIVE, ETOBICOKE, ONTARIO

TEL: 416-675-2400

FAX: 416-675-2424

SHEET TITLE

SDR - 1010 ELECTRICAL BOX

PROJECT No.

PROJECT:

DRAWING No.

ELB-4

SCALE:
N.T.S.

DATE:
04/00

DRAWN BY:
J.G.

CAD FILE NAME: