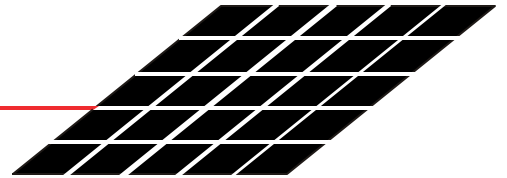


# SDR-120-2D

ELECTRICAL SERVICE CENTRE



## FEATURES

---

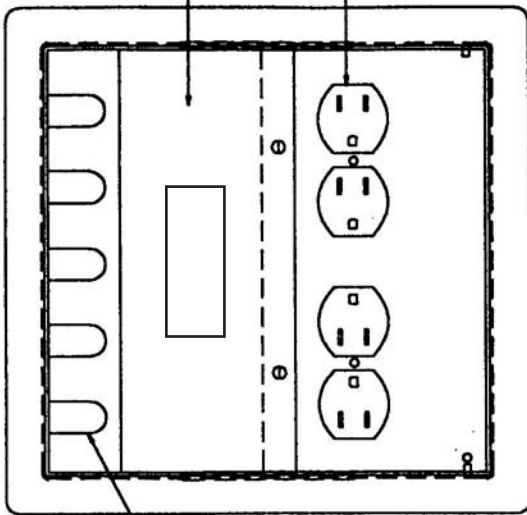
- CSA approved for two duplex receptacles 15A, 120V.
- Mounting plates for data/telephone connectors.
- Re-inforced heavy duty steel lid complete with five cable management openings.
- Hinged lid is complete with carpet recess and is totally removable without tools.
- Extra grommetted side openings for future cable requirements.
- Integral modular connector option allows for plug and play use.
- Anti-tip feature ensures lid does not hinge open under foot traffic.

**C A M I N O**    M O D U L A R    S Y S T E M S    I N C .

89 CARLINGVIEW DRIVE, TORONTO, ON M9W 5E4    TEL (416) 675-2400    FAX (416) 675-2424

DATA PLATE C/W PUNCHOUTS  
(CONNECTORS BY OTHERS)

POWER PLATE FOR 2 DUPLEX  
RECEPTACLES (1Aa, 120v)



SERVICE CENTRE COVER PLATE WITH FIVE CABLE OPENINGS.  
OTHER STYLE LIDS ALSO AVAILABLE.

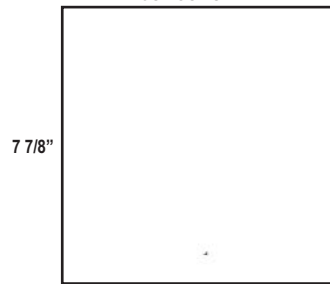
PLAN VIEW

NOTES:

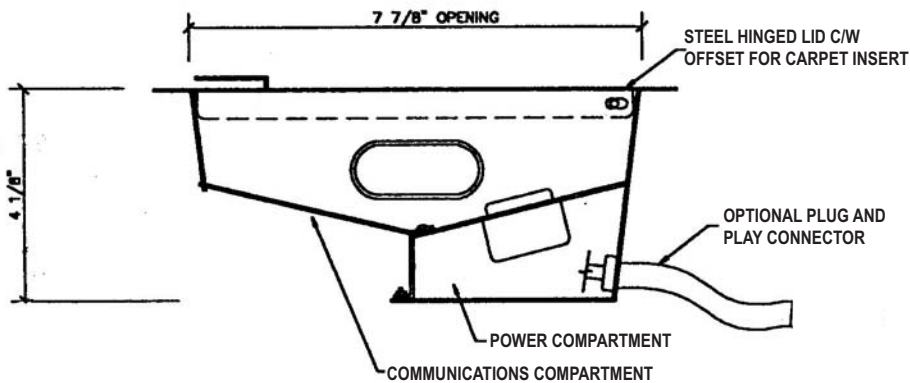
1. STEEL COMPONENTS SPECIFICATIONS AS FOLLOWS:  
 A) MAIN ELECTRICAL BOX - 18 Ga. SATIN COAT  
 B) ELECTRICAL BOX - 16 Ga. SATIN COAT  
 C) COMM. & POWER PLATES - 22 Ga. SATIN COAT

2. PAINT FINISH: BLACK POWERCOAT

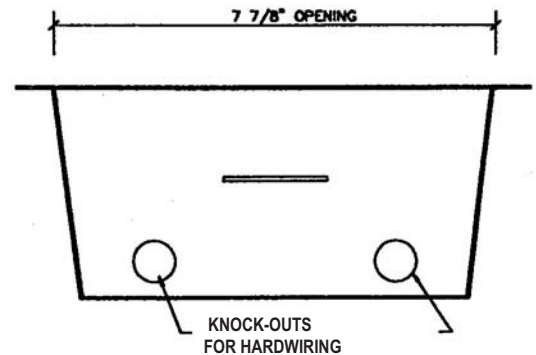
CUT OUT SIZE



7 7/8"



SIDE VIEW



END VIEW

**CAMINO MODULAR SYSTEMS INC.**  
 89 CARLINGVIEW DRIVE, ETOBICOKE, ONTARIO  
 TEL: 416-675-2400      FAX: 416-675-2424

SHEET TITLE <b>SDR SERIES ELECTRICAL SERVICE CENTRE</b>		PROJECT No.
PROJECT:		DRAWING No. <b>ELB-2</b>
SCALE: N.T.S.	DATE: 04/00	DRAWN BY: J.G.
		CAD FILE NAME: